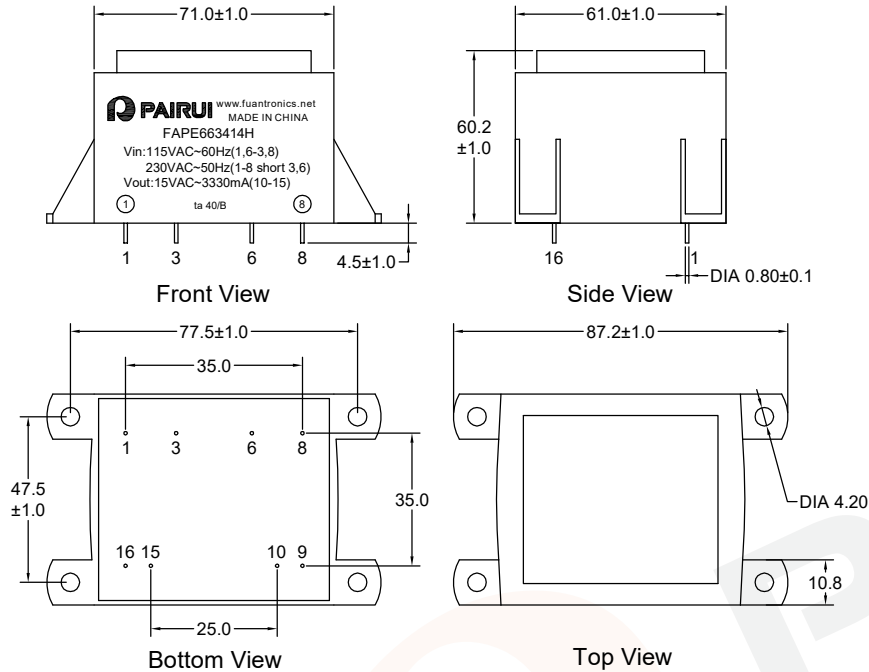


P/N: FAPE663414H



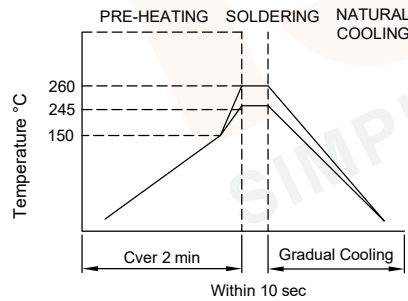
Outline Dimensions(Unit:mm)



Note:

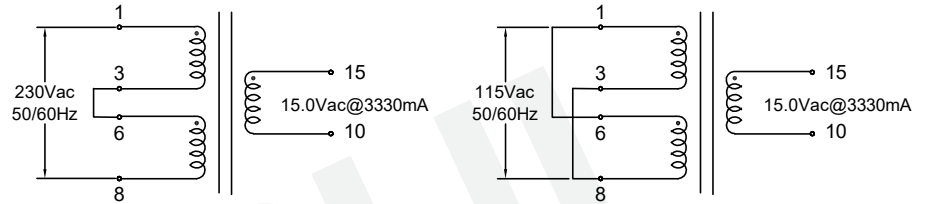
- 1.Remove Pins 2,4,5,7,11,12,13,14.

Wave Soldering



- Note: 1.Never Contact the ceramic with the iron tip; 2.1.0mm tip diameter(max).

Electronical Schematic



Electrical Characteristics

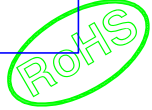
- Input 230Vac 50Hz to (1-8 short 3,6) or Input 115Vac 60Hz to (1,6-3,8);
- Excitation current(Ix):60mA Max.
- Output: Vo=17.0Vac Typ(No-load); VL=15.0Vac±5%(@3330mA).
- Hi-Pot: Pri-Sec:4000VAC/5mA/60Second.

General Properties

- Operating Temperature:-25°C to +40°C.
- Storage Temperature:-25°C to +85°C.
- Insulation Class: B.
- Weight: 1.04kg.

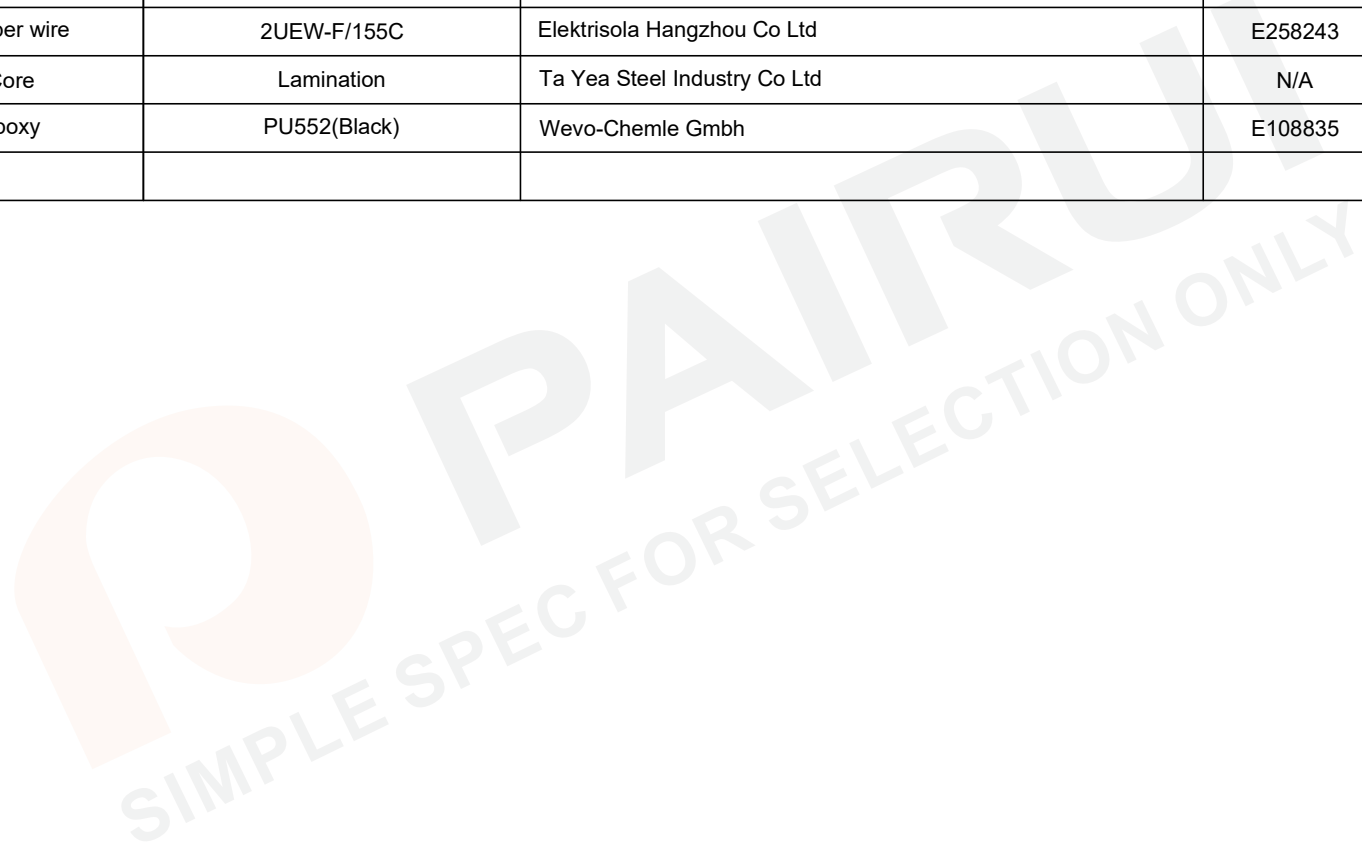
REV	DESCRIPTION	APPD	DATE	Tianchang Fuan Electronic Co Ltd www.fuantronics.net TEL: +86-550-7814888 FAX: +86-550-7831133	 Tolerances unless otherwise specified: (.X)±0.50 (XX)±0.25 Unit of measurement: mm	Make: Qiumei.Liu Checked: Beson. zhan Approved: Anson. zhan	<b>DRAWING TITLE</b> 50W Encapsulated Transformer For EI66*34.7,2*115VAC Input 50/60Hz Material Number: A226634XS130	Customer Name: Document/Rev: 00 Specification Sheet: 1 of 2 Date of Recognition: Jan./02/2020
-----	-------------	------	------	---	--	---	---	--

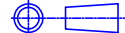
P/N: FAPE663414H



List of UL Certificate:

No.	Part Name	Mat'l Description	Supplier	UL Number
1	Bobbin	EI66*34.7/PBT(Black)	Chang Chun Plastics Co Ltd	E59481
2	Case	CASE-EI66*34.7/PA66(Orange)	Zhejiang Juner New Materials Co Ltd	E204321
3	Copper wire	2UEW-F/155C	Elektrisola Hangzhou Co Ltd	E258243
4	Core	Lamination	Ta Yea Steel Industry Co Ltd	N/A
5	Epoxy	PU552(Black)	Wevo-Chemle Gmbh	E108835
6				



				Tianchang Fuan Electronic Co Ltd www.fuantronics.net TEL: +86-550-7814888 FAX: +86-550-7831133	 Tolerances unless otherwise specified: (.X)±0.50 (XX)±0.25 Unit of measurement: mm	Make: Qiumei.Liu	<b>DRAWING TITLE</b> 50W Encapsulated Transformer For EI66*34.7,2*115VAC Input 50/60Hz Material Number: A226634XS130	Customer Name:
						Checked: Beson. zhan		Document/Rev: 00
REV	DESCRIPTION	APPD	DATE			Approved: Anson. zhan		Specification Sheet: 2 of 2 Date of Recognition: Jan./02/2020